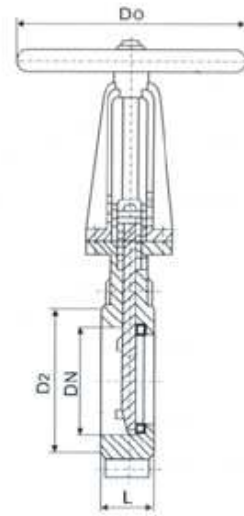
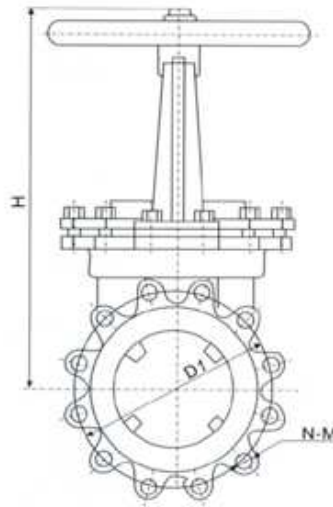




KNIFE GATE VALVE



Features:

Knife Gate Valve

Technical specification

Design & Manufacture: JB/T8691-98

Face to Face Dimension: GB/T15188.2-94

Flanged Dimension: GB/T9113.1, JB/T79-94, ANSI B16.5

Inspect & Test: GB/T 13927, API 598

Operation: Handwheel, Pneumatic & Electric

Pressure Rating: PN6, PN10, PN16, ANSI 150

Main Material

Body / Bonnet: Cast Steel, Stainless Steel

Disc: Stainless Steel

Stem: Stainless Steel

Seal: Rubber, PTFE, Stainless steel, Hard Alloy

Performance Indicators

Nominal pressure	0.6Mpa	1.0MPa	1.6MPa
------------------	--------	--------	--------

ZHEJIANG RAKO POWER-STATION VALVES CO.,LTD.

Tel: +86-577-67998300 67997732 67997733

Fax: +86-577-67997731

Email: sales@sbkpv.com

Msn: rako-valve@hotmail.com



Shell test	0.9MPa	1.5MPa	2.4MPa
Seal test	0.66MPa	1.1MPa	1.8MPa
Suitable temprature	Rubber< 80 oC, PTFE<180 oC, Hard seal<425 oC		
Suitable medium	Syrup,Paper pulp,Sewage,Coal slurry,Dust,Slag-water mix		

Main Dimensions

unit:mm

Nominal DN		Nominal pressure	L	D	D1	D2	H	N-M	D0
mm	inch								
50	2	1.0Mpa	50	160	125	100	285	4-M16	180
65	2-1/2		50	180	145	120	300	4-M16	180
80	3		50	195	160	135	315	4-M16	200
100	4		50	215	180	155	365	8-M16	220
125	5		50	245	210	185	400	8-M16	240
150	6		70	280	240	210	475	8-M20	280
200	8		70	335	295	265	540	8-M20	320
250	10		70	390	350	320	630	12-M20	350
300	12		80	440	400	368	780	12-M20	400
350	14		90	500	460	428	885	16-M20	400
400	16		100	565	515	482	990	16-M22	450
450	18		120	615	565	532	1100	20-M22	500
500	20		130	670	620	585	1200	20-M22	550
600	24		130	780	725	685	1450	20-M27	600
700	28		160	895	840	800	1700	24-M27	600
800	32		160	1010	950	905	2000	24-M30	700
900	36	160	1110	1050	1005	2300	28-M30	700	
1000	40	160	1220	1160	1115	2500	28-M30	700	
1200	48	200	1450	1380	1325	2800	32-M36	800	